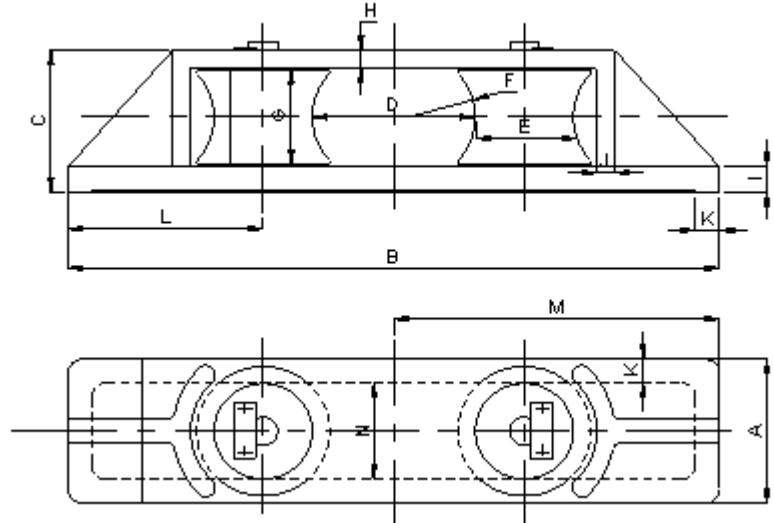
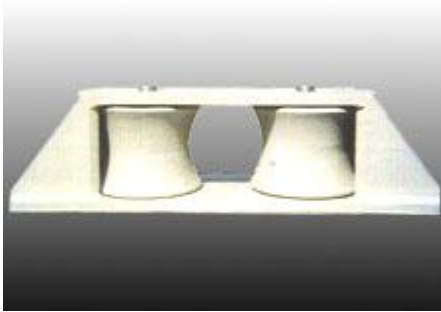


## Double Roller Chock/Fairlead

Product Code: 51502



Double Roller Chock

TYPE	Dimensions (in)															Weight (lbs)
	A	B	C	D	E	F	G	H	I	J	K	L	M	N	P	
10	10	44	9-7/8	11	6-5/8	4-1/2	6-5/8	1-1/4	1-3/4	1-1/4	1-5/8	13-1/5	22	6-1/4	5	555
12	12	52	11-3/4	13-1/2	8	5-3/8	8	1-1/2	2	1-1/2	1-3/4	14-1/4	26	8	7	950
14	14	60	13-5/8	16	9-3/8	6-1/4	9-3/8	1-3/4	2-1/4	1-3/4	2	17-1/16	30	9-1/2	8	1,520
16	16	67	15-1/2	19	10-3/4	7-1/8	10-3/4	2	2-1/2	2	2-1/4	10-5/8	33-1/2	11-1/4	10	2,000
18	18	73-1/2	17-3/8	21-1/2	12	8	12	2-1/4	2-3/4	2-1/4	2-1/2	20	36-3/4	12-1/2	11	2,950
20	20	78-1/2	18-7/8	23-1/4	13-1/4	10	13-1/4	2-3/8	2-7/9	2-3/8	2-5/8	21	39-1/4	14	13	3,630
22	22	82-3/4	20-1/4	24-1/4	14-1/2	11-3/4	14-1/2	2-1/2	3	2-1/2	2-7/8	22	41-3/8	16	15	4,595
24	24	86	22	25	16	12-1/2	16	2-5/8	3-1/8	2-5/8	3	22-1/4	43	17-1/2	16-1/2	5,800