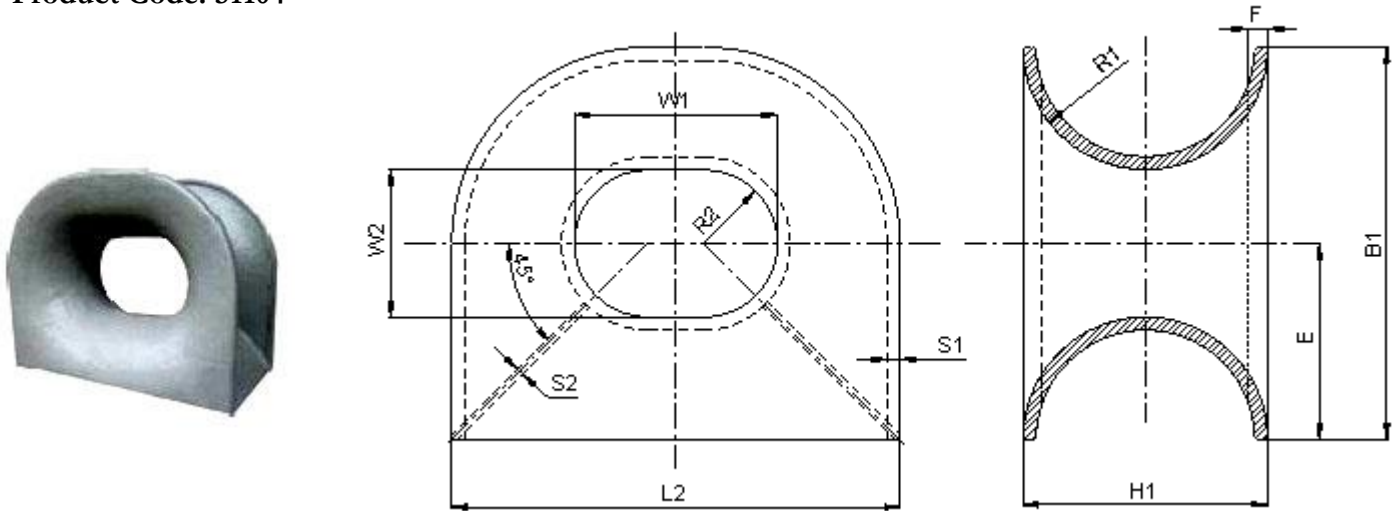


DIN81915 Type-C Deck Chock

Product Code: 51104



DIN 81915 DECK MOUNTED PANAMA CHOCK TYPE C

Type	Dimensions (mm)											Weight (Kg)	Working Load (Kn)
	B1	E	F	H1	L2	R1	R2	S1	S2	W1	W2		
C1	250	125	-	160	285	-	--	-	-	125	90	19.6	--
C2	315	157.5	-	200	360	-	--	-	-	160	115	29	--
C3	390	195	14	250	450	125	70	14	7	200	140	48	30
C5	480	240	24	300	550	150	90	16	8	250	180	85	50
C8	585	292.5	27	360	680	180	112.5	18	9	320	225	136	80
C12	710	355	30	440	840	220	135	20	10	400	270	211	125
C20	840	420	33	520	1,020	260	160	22	11	500	320	325	200
C32	1,100	550	35	700	1,300	350	200	35	20	600	400	840	320