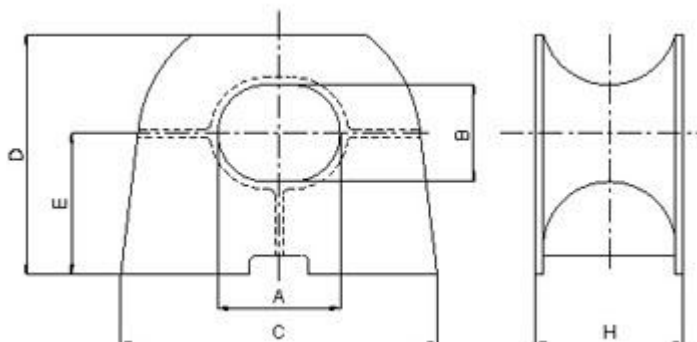


EU-1 Deck Panama Chock

Product Code: 51103



EU-1 TYPE DECK MOUNTING PANAMA CHOCK

Nominal Size	Dimensions (mm)						Mass (kg)
	A	B	C	D	E	H	
315 X 250	315	250	815	620	365	380	280
425 X 280	425	280	1,075	785	450	500	378
600 X 315	600	315	1,360	865	507	560	598
600 X 450	600	450	1,360	1,000	575	560	707
600 X 450	600	450	1,560	1,200	675	760	1050