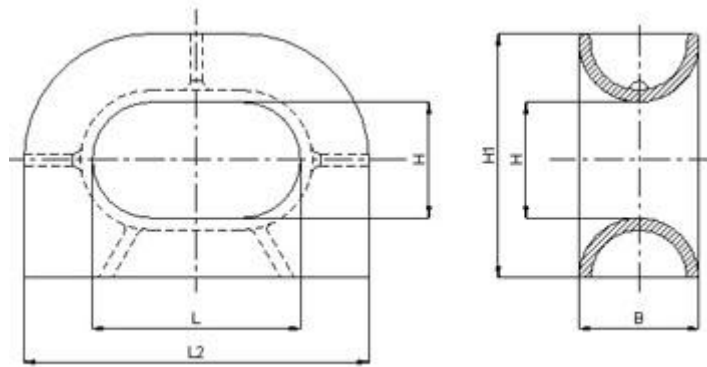


## F2005 Deck Panama Chock

Product Code: 51101



### JIS F2005 DECK MOUNTING CAST PANAMA CHOCK

Nominal Size	L (mm)	L2 (mm)	B (mm)	H (mm)	H1 (mm)	Mass (kg)	Dia. of Rope (mm)	
							Wire	Hemp
100	100	170	60	76	141	3.7	14	24
150	150	250	90	110	205	10.5	16	30
200	200	340	120	150	280	24	18	40
250	250	434	160	200	372	48	20	50
300	300	528	200	250	464	82	22	60
350	350	600	220	250	485	103	24	70
400	400	672	240	250	506	136	26	80
450	450	746	260	250	528	184	30	85
500	500	820	280	250	550	232	36	90