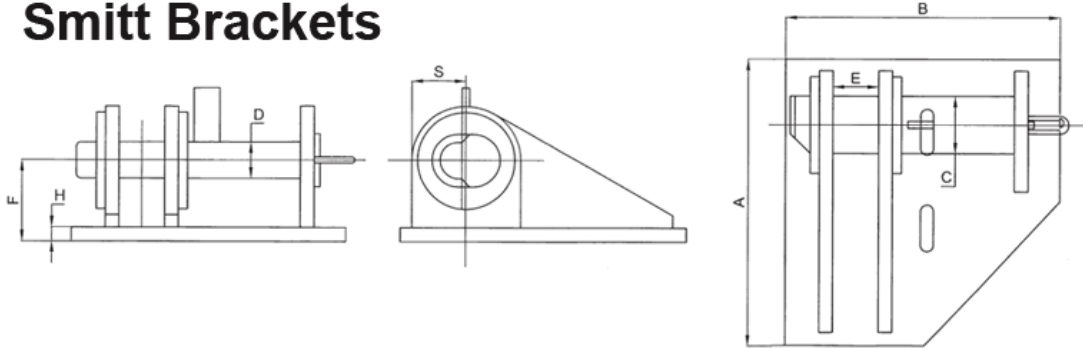


# SMIT BRACKET

Product Code: 50307

## Smitt Brackets



Nominal Cable Dia	Dimensions (mm)								Mass (kg)	Proof Load (kN)
	A	B	C	D	E	F	H	S		
64	625	600	125	80	100	175	30	123	184	1,000
76	800	720	170	110	110	200	30	175	276	2,000

NOMINAL CABLE Dia.	Dimension (mm)								Mass (kg)	SWL (KN)
	A	B	C	D	E	F	H	S		
54	500	450	115	78	75	140	20	120.5	104	675
64	625	600	138	92	100	180	26	138	193	1000
76	800	720	170	110	110	228	36	175	375	1875

