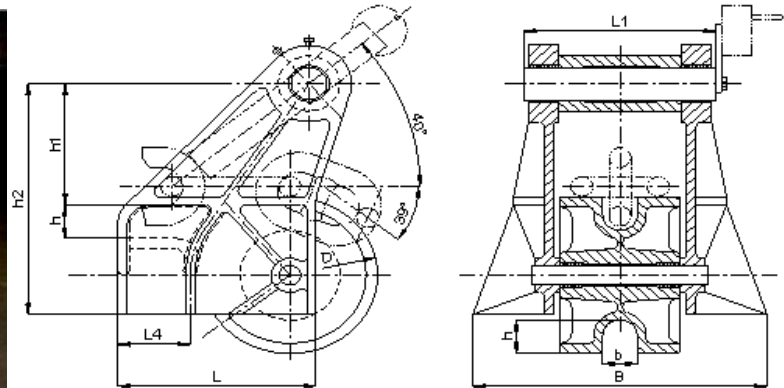


**F-2032 ROLLER PAWL TYPE CHAIN STOPPER**

Product Code: 50304



Nominal Chain Dia (mm)	Dimensions (mm)									Mass (kg)
	h	h1	h2	L	L1	L4	B	b	D	
70-73	125	422	860	660	640	241	980	115	584	1,096
76-78	133	450	918	700	680	254	1,046	123	624	1,316
81-84	143	483	983	760	720	279	1,110	134	672	1,608
87-90	153	515	1,055	810	770	295	1,190	143	720	1,938
92-95	162	545	1,115	860	810	317	1,250	151	760	2,289
97-100-102	175	584	1,196	920	860	337	1,320	161	816	2,787
105-107	185	617	1,265	981	900	364	1,390	170	864	3,274
111-114	195	651	1,335	1,026	940	376	1,460	180	912	3,874
117-122	208	695	1,427	1,100	995	408	1,550	191	976	4,600
127-132	225	750	1,542	1,190	1,060	441	1,660	207	1,056	5,750

**Material: Cast Steel**