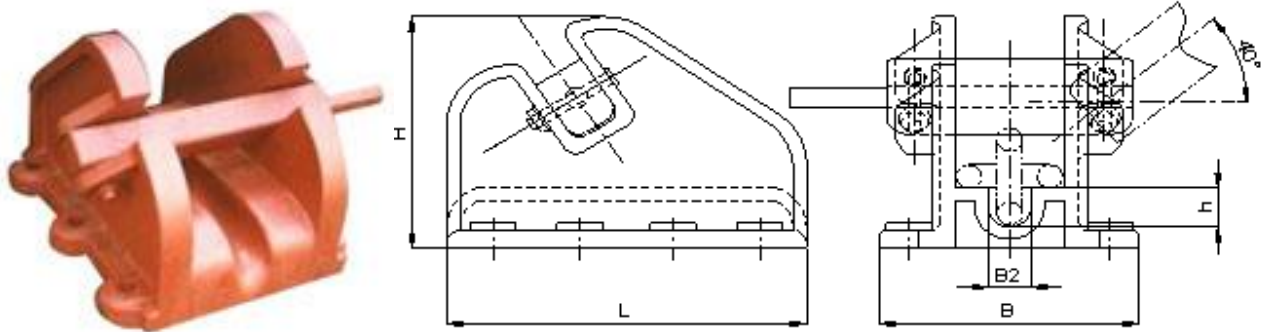


**JIS F2002 BAR TYPE CHAIN STOPPER (Bolted Mounting)**

Product Code: 50301



Nominal Chain Dia (mm)	Dimensions (mm)					Mass (kg)
	B	H	L	h	B2	
17-19	195	190	270	32	32	22
20-22	215	216	310	37	38	31
23-25	240	241	345	43	43	44
26-28	265	270	385	48	49	58
30-32	305	305	435	54	55	89
34-36	340	342	490	61	61	122
38-40	370	378	540	68	65	160
42-44	405	412	590	75	72	208
46-48	440	450	640	82	78	272
50-52	470	491	695	88	85	338
54-56	495	522	745	95	92	414
58-60	530	564	795	102	98	505
62-64	565	600	850	109	104	618
66-68	590	635	900	116	110	737

**Material: Cast Steel**